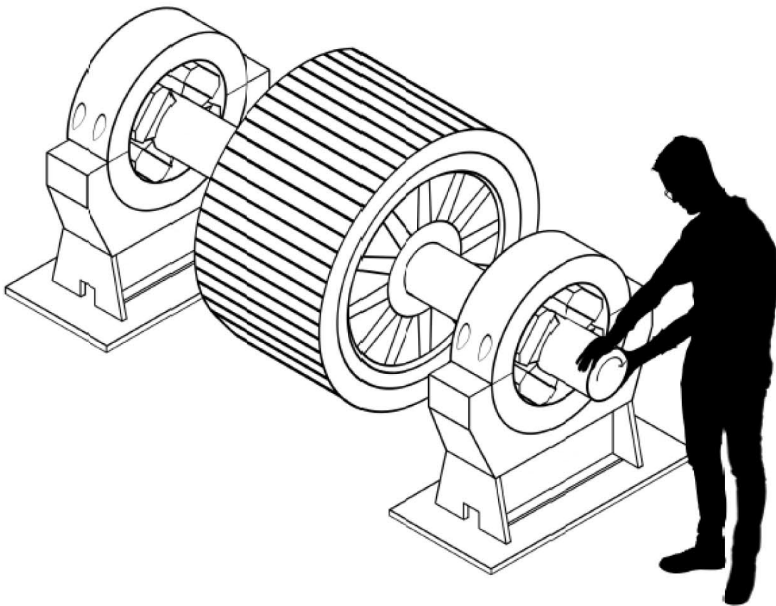


# Non-Contact Handling Fixture for Rotor Manufacturing & Rebuilds

*Using Externally-Pressurized Porous Graphite Gas Bearings*

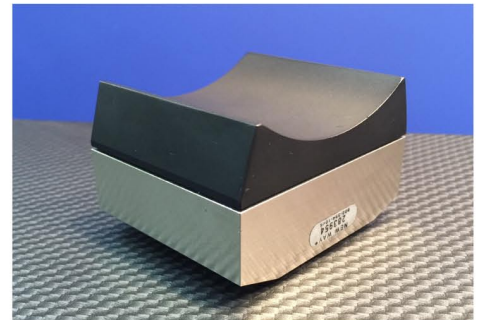


## Features & Benefits

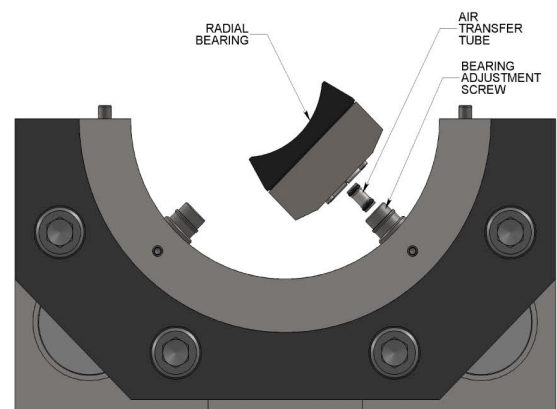
- Uses externally-pressurized (porous graphite) gas bearings to allow non-contact rotation and locking.
- Turning supply air pressure “on” allows technician to easily rotate rotor (by hand) to desired position.
- Turning supply pressure “off” allows porous graphite gas bearings to lock rotor from rotating.
- Prevents marking on critical shaft diameters.
- Eliminates need for using a crane or other mechanical assists to lift/rotate rotors.
- Porous graphite bearing pads are extremely robust, and have extremely long life.

## Applications

- New rotor manufacturing or repairs
- Rotor winding operations
- Inserting copper bars into solid or stacked rotors
- Rotor insulation operations
- Inspection Operations
- Machining operations



*Porous Graphite Gas Bearing Pad*



*Snap-on/off bearing pads*

PATENT PENDING

**NEWWAY**<sup>®</sup>  
air bearings